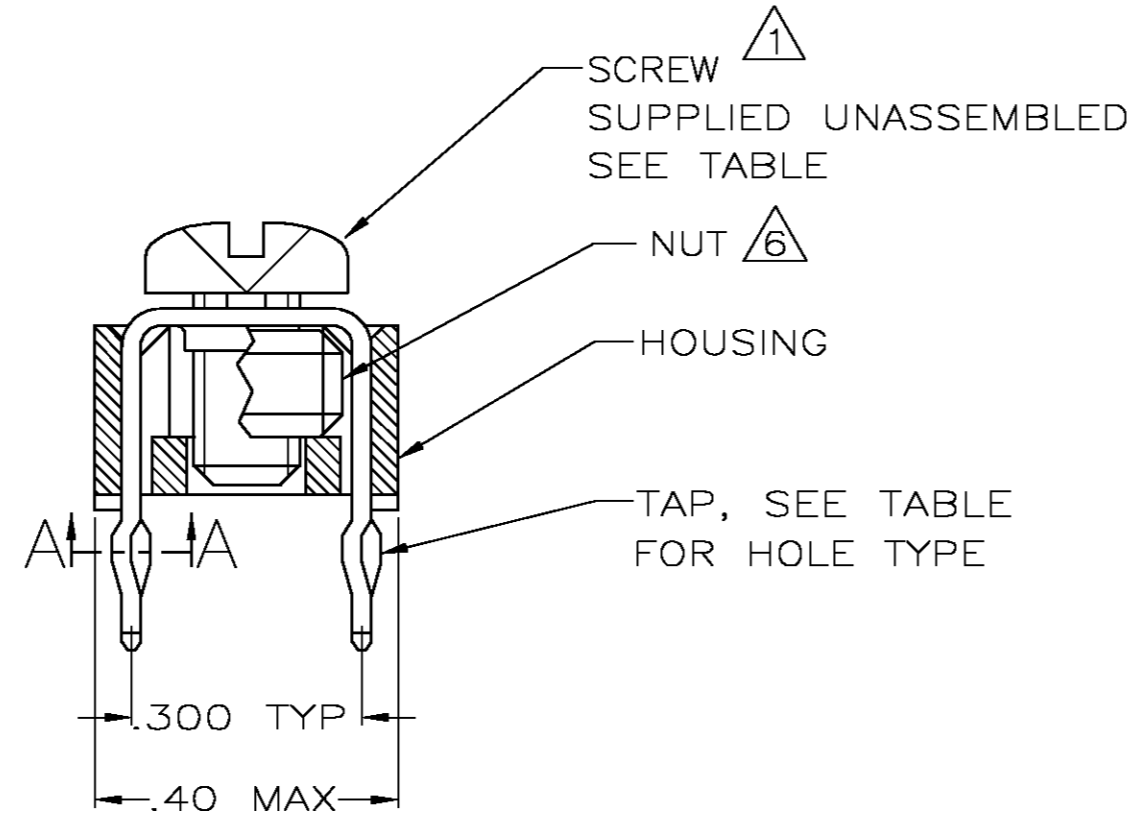
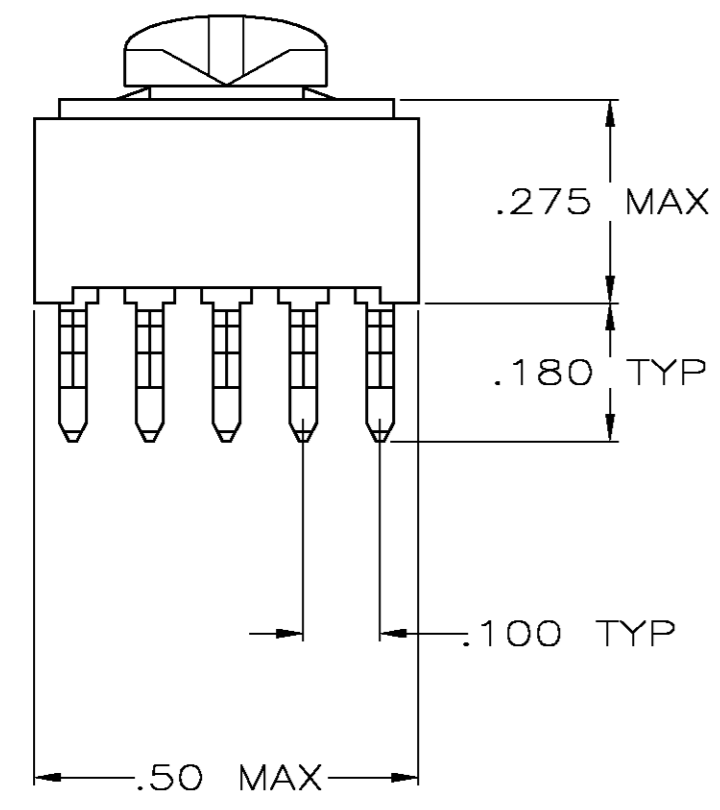


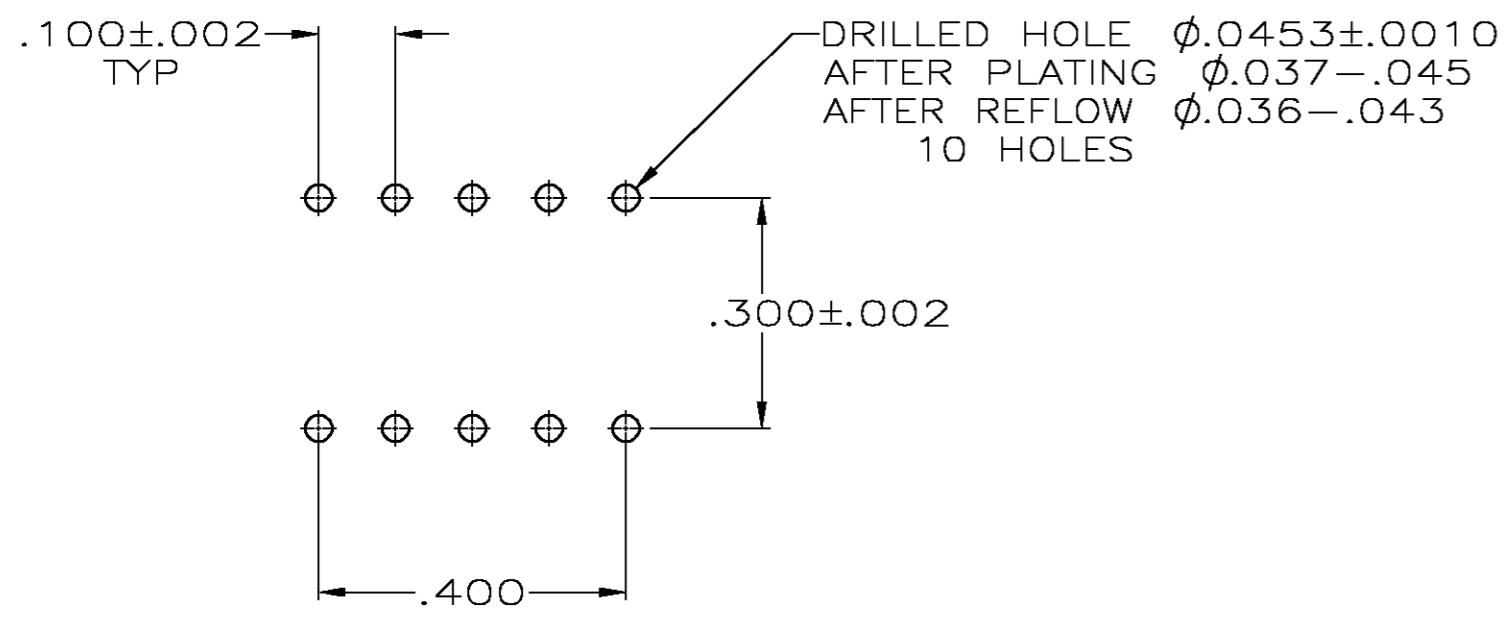
THIS DRAWING IS UNPUBLISHED. RELEASED FOR PUBLICATION  
 © COPYRIGHT BY TYCO ELECTRONICS CORPORATION. ALL RIGHTS RESERVED.

LOC	DIST	REVISIONS					
GP	00	P	LTR	DESCRIPTION	DATE	DWN	APVD
		S		ADDED 9--0 PER EC OS12-0217-03	12MAY03	AWF	AWF

.050±.005 DIA  
 SECTION A-A  
 SCALE 10:1  
 10 PLACES



- ① TO PREVENT THREAD STRIPPING, SCREW TORQUE SHOULD NOT EXCEED 9 IN LBS.
- ② TAP HOLE IS 6-32UNC-2B, TWO MIN THREADS.
- ③ TAP HOLE IS M4 X 0.7, TWO MIN THREADS.
- ④ PACKAGED BULK.
- ⑤ PACKAGED INDIVIDUALLY.
- ⑥ NUT INCREASES TORQUE VALUE TO 26 IN LBS.
- ⑦ HOUSING: NYLON UL 94V-0. TAP: COPPER ALLOY 735, .025 THICK.
- ⑧ TAP: .000150 TIN-LEAD OVER .000050 NICKEL.
- ⑨ CLEARANCE HOLE FOR A 6-32 SCREW.
- ⑩ TAP: .000150 TIN OVER .000050 NICKEL.



PC BOARD PATTERN

PACKAGE	FINISH	HOLE TYPE	HOUSING COLOR	HOUSING AND TAP ASSEMBLED	SCREW	PART NO.
④	⑩	②	BLACK	YES		993879-1 9-55556-0
④	⑧	⑨	BLACK	⑥ YES (W/NUT)	NO	1-55556-3
④	⑧	⑨	BLACK	⑥ YES (W/NUT)		993879-1 1-55556-2
OBSOLETE	⑤	⑧	②	BLACK	YES	993879-1 1-55556-1
SUPSD BY -9	-	⑧	③	BLACK	YES	NO 1-55556-0
SUPSD BY -4	④	⑧	③	BLACK	YES	M4 X 0.7 X 6MM 55556-9
SUPSD BY -4	-	⑧	②	WHITE	YES	993879-1 55556-8
SUPSD BY -4	-	⑧	②	GREEN	YES	993879-1 55556-7
SUPSD BY -4	-	⑧	②	BLUE	YES	993879-1 55556-6
SUPSD BY -4	-	⑧	②	RED	YES	993879-1 55556-5
④	⑧	②	BLACK	YES		993879-1 55556-4
④	⑧	②	BLACK	YES		NO 55556-3
OBSOLETE	-	⑧	②	BLACK	NO	993879-1 55556-2
OBSOLETE	-	⑧	②	BLACK	NO	NO 55556-1

THIS DRAWING IS A CONTROLLED DOCUMENT.

DIMENSIONS: INCHES	TOLERANCES UNLESS OTHERWISE SPECIFIED:	DWN: J.McCLINTON 1-11-88	Tyco Electronics Corporation Harrisburg, PA, 17105
	0 PLC ± -	CHK: R.STONE 1-11-88	
	1 PLC ± -	APVD: M.GALLOWAY 1-11-88	
	2 PLC ± -	NAME: TAP ASSEMBLY, POWER DISTRIBUTION	
MATERIAL: ⑦	FINISH	PRODUCT SPEC: 108-11030	RESTRICTED TO
		APPLICATION SPEC: 114-1100	SIZE: A2 CAGE CODE: 00779 DRAWING NO: C=55556
		WEIGHT	SCALE: 4:1 SHEET: 1 OF 1 REV: S
		CUSTOMER DRAWING	

55556

A